

CBM

MONTAGE™ DESIGNER SHADES ROLLER SHADES

CASSETTE SYSTEMS

Installation Manual v1.0



#cbmblinds



CBM

Hazardous Product Warning (Manual/Chain Driven Shades)



WARNING/MISE EN GARDE

Young children can **STRANGLE** in cord and bead chain loops. They can also wrap cords around their necks and **STRANGLE**.

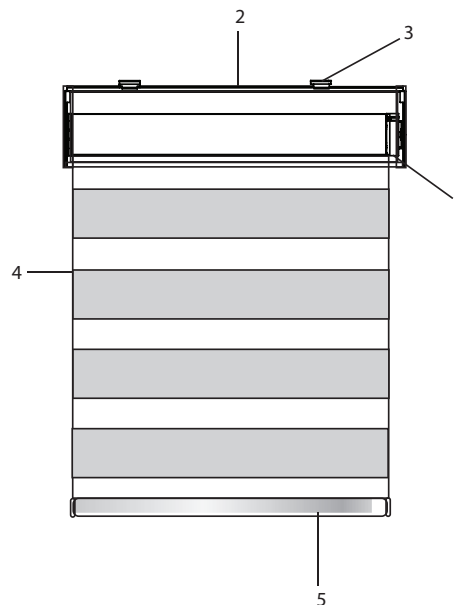
Always keep cords and bead chains out of children's reach.

Move cribs, playpens, and other furniture away from cords and bead chains. Children can climb furniture to get to cords.

Attach tension device to wall or to floor. This can prevent children from pulling cords and bead chains around their necks. Fasteners provided with the tension device may not be suitable for all mounting surfaces. Use appropriate anchors for the mounting surface conditions.

For more safety information: 1-866-662-0666

Assembly Parts:

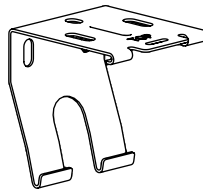


1. End Cap
2. Cassette
3. Mounting Bracket
4. Fabric
5. Bottom Bar

Parts Included:



Installation Screws

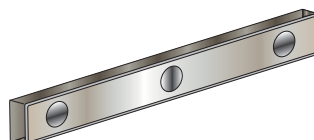


Universal Bracket

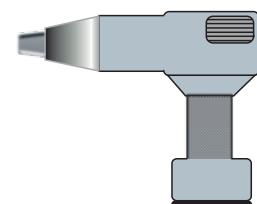
Tools Needed:



Pencil



Level

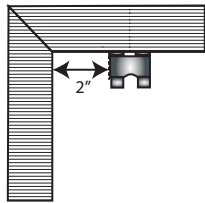


Cordless Drill

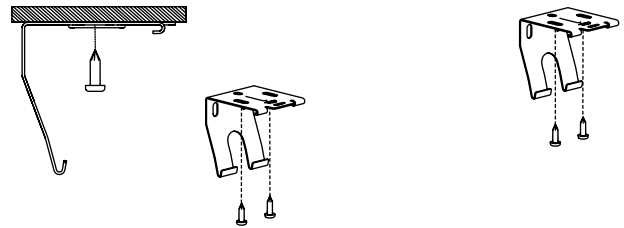
Bracket Installation:

INSIDE MOUNT:

Using a pencil, mark the positioning of the bracket at least 2" from each end.

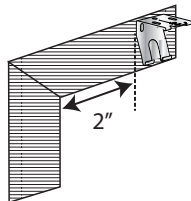


Use the hole on the top of the bracket to secure it using the provided screws (#2 Robertson).

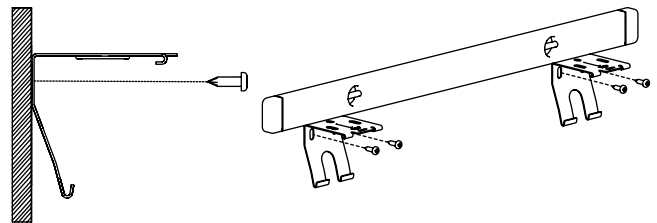


OUTSIDE MOUNT:

Using a pencil, mark the positioning of the bracket at least 2" from each end.

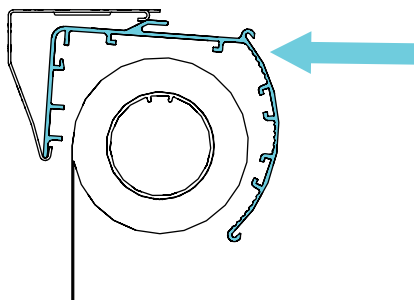


Use the holes on the back of the bracket to secure it using the provided screws (#2 Robertson). Using a level ensure the brackets are level with each other.

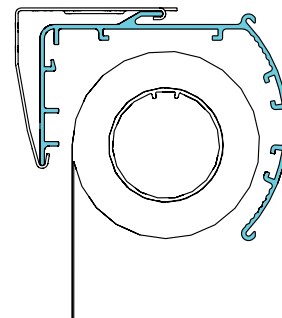


Cassette Installation:

Snap cassette into place by sliding groove in back of the cassette into the bottom of the mounting bracket.



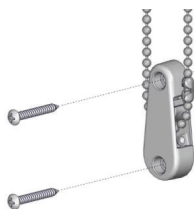
Push back and up snapping the headrail into the top of the mounting bracket.



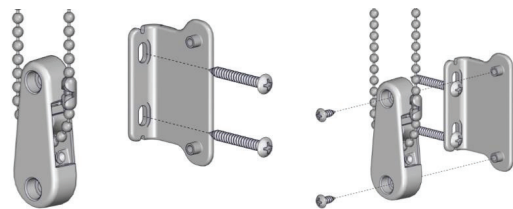
Tension Device (Chain driven shades only)

Tension device is pre-assembled onto chain during fabrication/production and must be installed for the shade to function properly.

Recess Fix



Wall/Face Fix



Cassette Removal:

