

CBM

ROLLER SHADES
EDGE LIGHT BLOCK

Installation Manual v1.0



#cbmblinds



CBM

Hazardous Product Warning (Manual/Chain Driven Shades)



WARNING/MISE EN GARDE

Young children can **STRANGLE** in cord and bead chain loops. They can also wrap cords around their necks and **STRANGLE**.

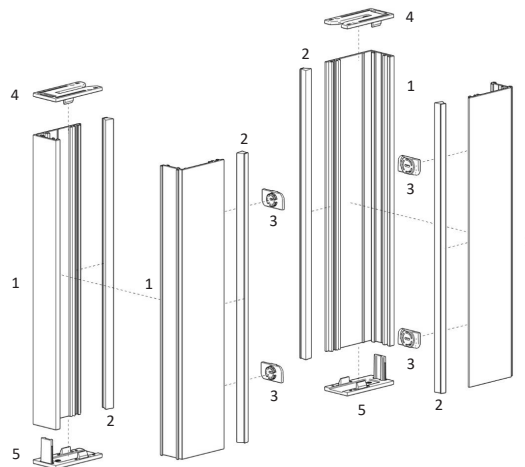
Always keep cords and bead chains out of children's reach.

Move cribs, playpens, and other furniture away from cords and bead chains. Children can climb furniture to get to cords.

Attach tension device to wall or to floor. This can prevent children from pulling cords and bead chains around their necks. Fasteners provided with the tension device may not be suitable for all mounting surfaces. Use appropriate anchors for the mounting surface conditions.

For more safety information: 1-866-662-0666

Edge Light Block Assembly Parts:



1. Side Guide Fixing & Cover Rails
2. Fabric Brush T Slot
3. Side Guide Lock
4. Side Guide Funnel
5. Bottom Cap

Parts Included:

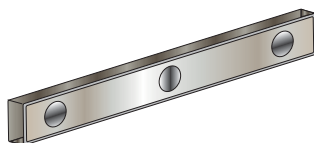


Installation Screws

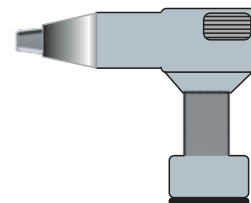
Tools Needed:



Pencil



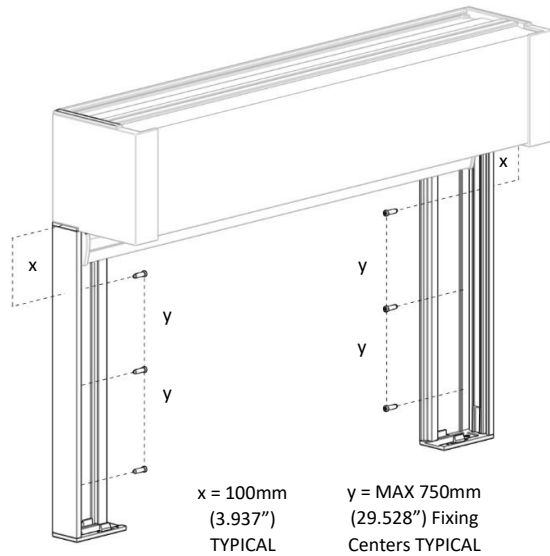
Level



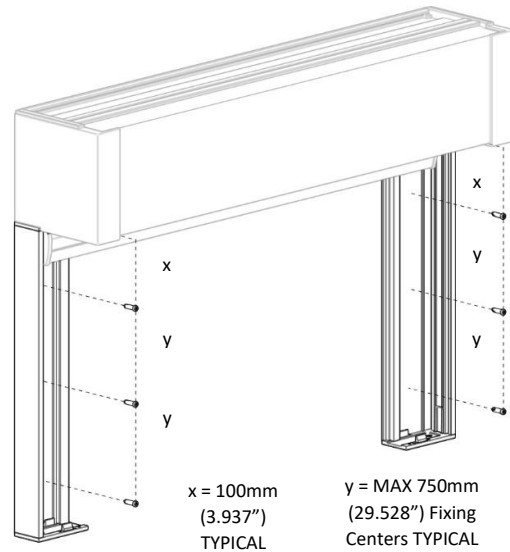
Cordless Drill

Edge Side Guide Installation:

Inside Mt / Recess Fix



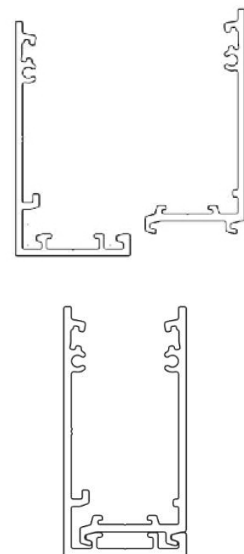
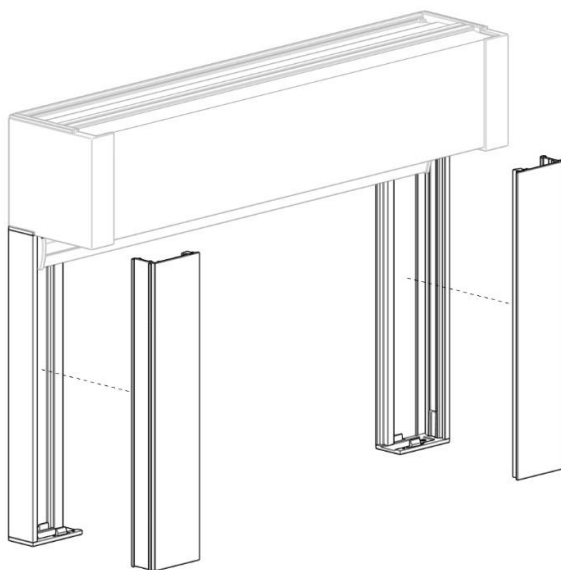
Outside Mt / Wall Fix



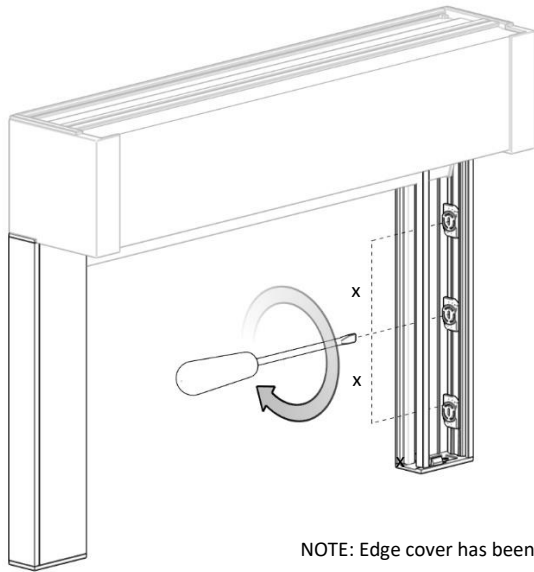
Align the side guides with bracket base. Use grooves in fixing rail to centre fixing position. **Ensure side guides are vertical and parallel using a level.**

Align the side guides with bracket base. Use grooves in fixing rail to centre fixing position. **Ensure side guides are vertical and parallel using a level.**

Insert Side Guide Cover Rails:

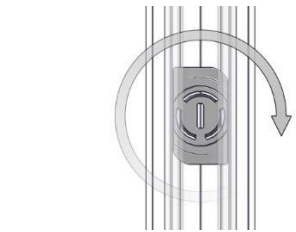


Insert Side Guide Cover Rails:



x = MAX
600mm
(23.622")
TYPICAL

NOTE: Edge cover has been removed for clarity



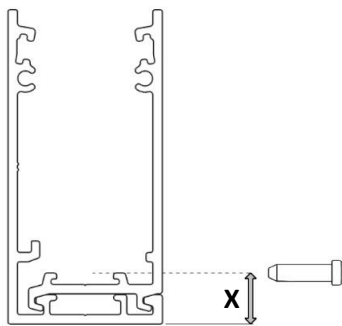
UNLOCKED POSITION:
ROTATE CLOCKWISE TO LOCK



LOCKED POSITION

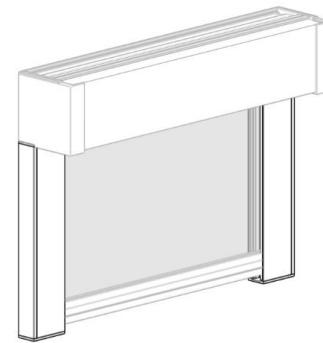
Installing Tension Device into Edge Side Guide:

Chain Tension Device is secured to the window frame or to the wall (using the outside mount tensioner bracket). For face fix install where the tensioner must be secure to the edge side guide (e.g. doors), please follow these instructions,



X = 12mm (if using CBM Chain Tensioner)

- All tensioners to be fixed to side guides must be as specified to ensure bottom rail function is not affected.
- To assist with installation, it is recommended to drill pilot holes in the side guide.

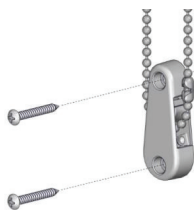


Finished Light Block System w/ E90 Enclosure

Tension Device Installation:

Tension device is pre-assembled onto chain during fabrication/production and must be installed for the shade to function properly.

Recess Fix



Wall/Face Fix

