



ROLLER SHADES
5" FASCIA SYSTEM

Installation Manual v1.0



CONTENTS

SECTION 1: OVERVIEW

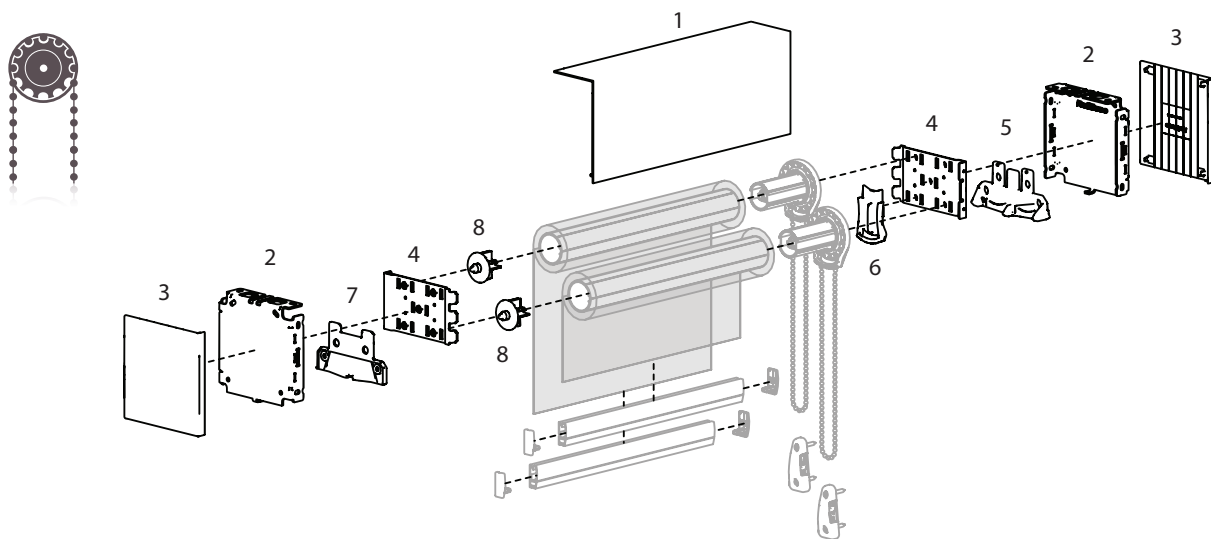
CLUTCH DRIVE - DOUBLE SHADES	3
CBM RECHARGEABLE MOTOR - DOUBLE SHADES	3
CBM RECHARGEABLE MOTOR - SINGLE HD SHADE	4
SOMFY S50 AC 120V MOTOR - SINGLE HD SHADE	4

SECTION 2: INSTALLATION

CLUTCH DRIVE - DOUBLE SHADES	5
CBM RECHARGEABLE MOTOR - DOUBLE SHADES	6
CBM RECHARGEABLE MOTOR - SINGLE HD SHADE	7
SOMFY S50 AC 120V MOTOR - SINGLE HD SHADE	8

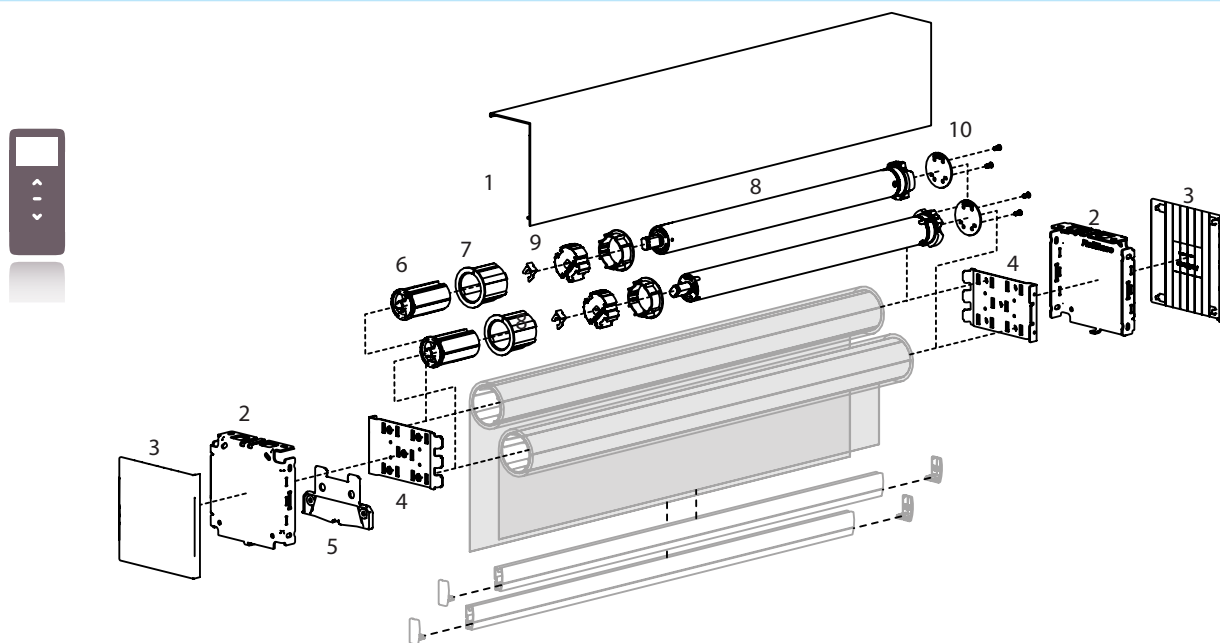
OVERVIEW

CLUTCH DRIVE - DOUBLE SHADES



- | | | |
|----------------------------|---------------------|------------------|
| 1. 5" Fascia Panel | 4. Skyline Insert | 7. Pin End Guide |
| 2. 5" Fascia Panel Bracket | 5. Dual Diverter | 8. Pin End |
| 3. 5" Fascia Bracket Cover | 6. Dual Chain Guide | |

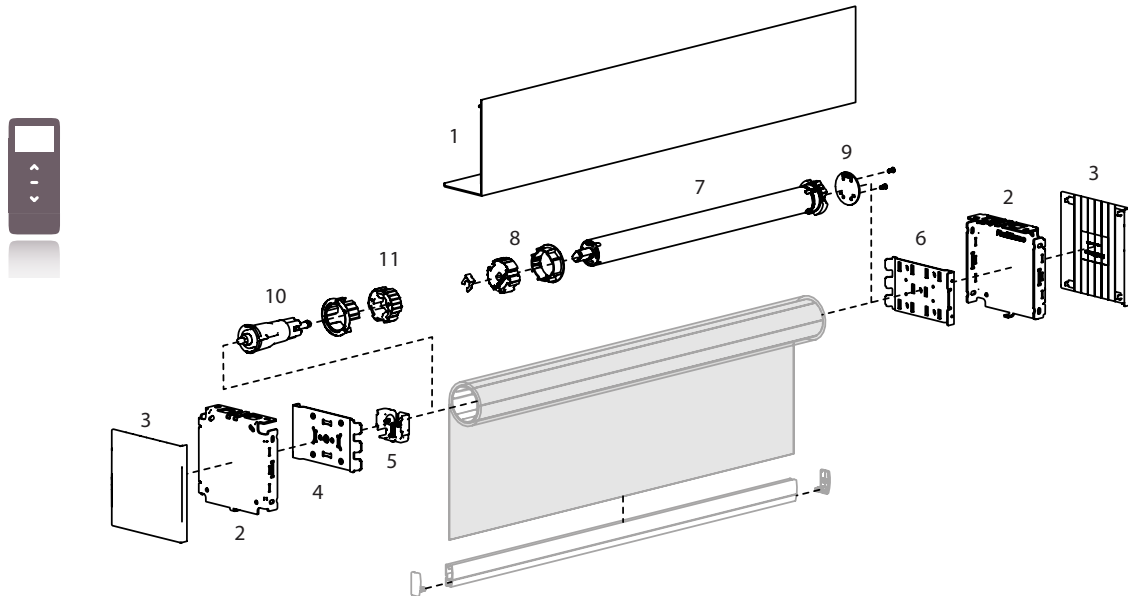
CBM MOTOR CONTROL - DOUBLE SHADES



- | | | |
|----------------------------|-------------------|------------------|
| 1. 5" Fascia Panel | 4. Skyline Insert | 7. Pin End Guide |
| 2. 5" Fascia Panel Bracket | 5. Dual Diverter | 8. Pin End |
| 3. 5" Fascia Bracket Cover | 6. HD Pin End | |

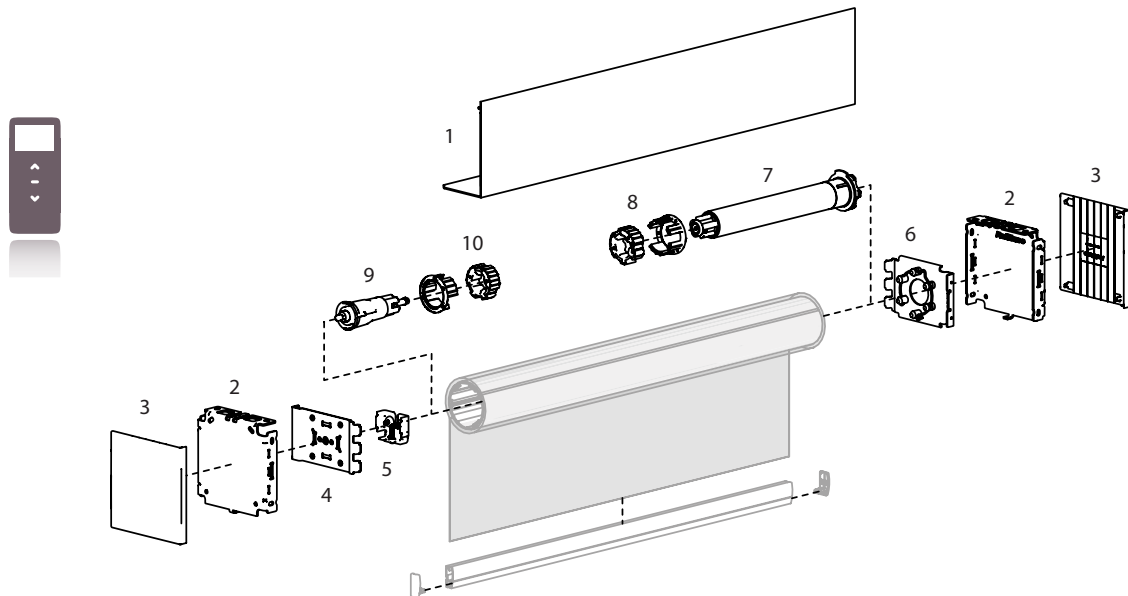
OVERVIEW

CBM MOTOR CONTROL - SINGLE HD SHADE WITH RECHARGEABLE MOTOR



- | | | |
|----------------------------|------------------------------|--------------------------------|
| 1. 5" Fascia Panel | 5. Idler Yoke Kit | 9. HD Mounting Adapter |
| 2. 5" Fascia Panel Bracket | 6. HD Motor Insert Plate | 10. HD Motor Pin End |
| 3. 5" Fascia Bracket Cover | 7. CBM Rechargeable HD Motor | 11. HD Motor Pin End Drive Kit |
| 4. HD Idler Insert | 8. Crown & Adapter Kit | |

CBM MOTOR CONTROL - SINGLE HD SHADE WITH SOMFY S50 MOTOR

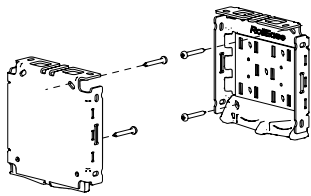


- | | | |
|----------------------------|------------------------------|--------------------------------|
| 1. 5" Fascia Panel | 5. Idler Yoke Kit | 9. HD Mounting Adapter |
| 2. 5" Fascia Panel Bracket | 6. HD Motor Insert Plate | 10. HD Motor Pin End |
| 3. 5" Fascia Bracket Cover | 7. CBM Rechargeable HD Motor | 11. HD Motor Pin End Drive Kit |
| 4. HD Idler Insert | 8. Crown & Adapter Kit | |

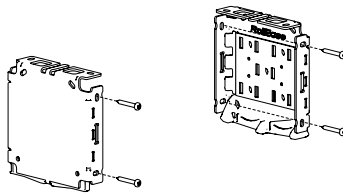
INSTALLATION: CLUTCH DRIVE DOUBLE SHADES

Bracket Installation:

Brackets are universal and can be installed in any orientation shown below:

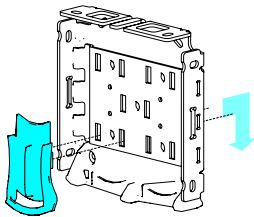


Inside Mount

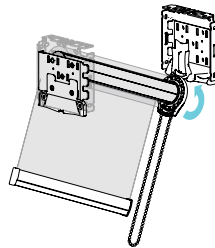


Outside Mount

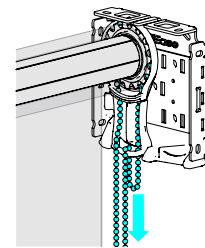
Shade & Cover Installation:



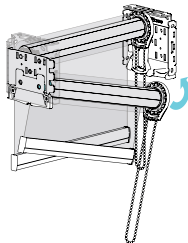
Attach chain diverter on the control side bracket assembly. Push hooks through the bracket and pull down



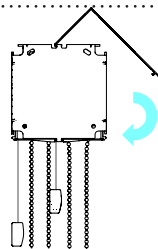
Attach top roller assembly pin first



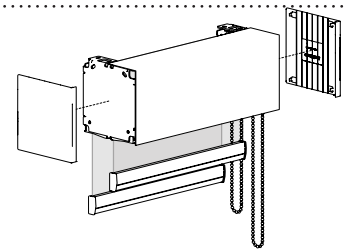
Pull chain through the diverter



Attach chain diverter cover (small clutch only) and ensure that chain is properly aligned



Attach fascia cover, swing from the top as shown above



Attach bracket covers if needed (outside mt)

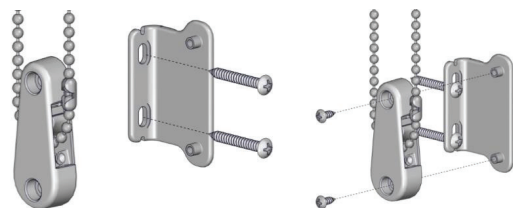
Tension Device Installation:

Tension device is pre-assembled onto chains during fabrication/production and must be installed for the shades to function properly.

Recess Fix



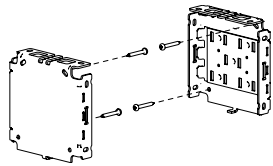
Wall/Face Fix



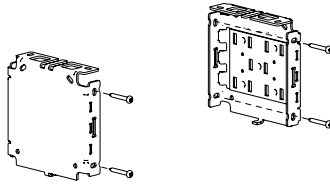
INSTALLATION: CBM MOTOR DOUBLE SHADES

Bracket Installation:

Brackets are universal and can be installed in any orientation shown below:

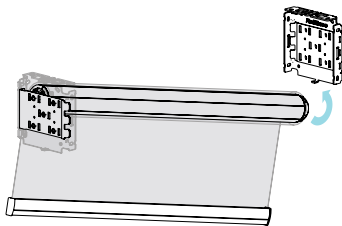


Inside Mount

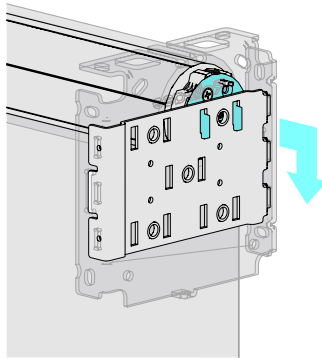


Outside Mount

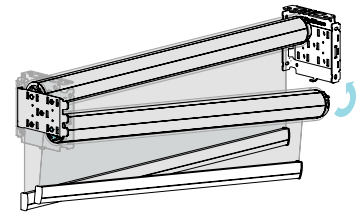
Shade & Cover Installation:



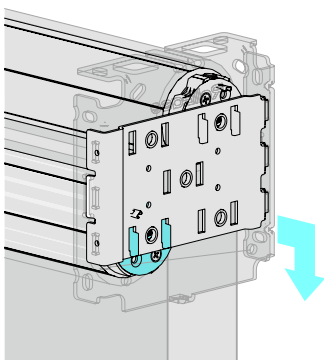
Attach top/rear roller pin assembly first



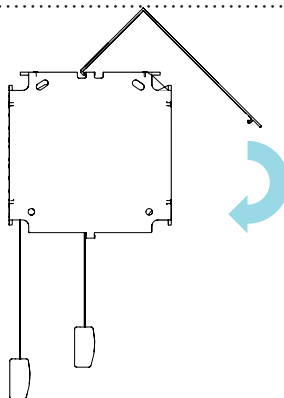
Attach motor hooks in place as shown above, push hooks through the bracket and pull down



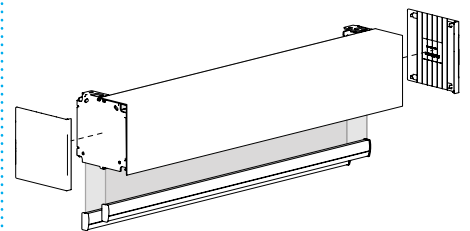
Attach bottom/front roller pin assembly first



Attach front motor hooks in place as shown, push hooks through the bracket and pull down



Attach fascia cover, swing from the top as shown above

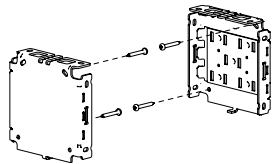


Attach bracket covers if needed (outside mt)

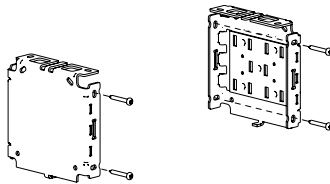
INSTALLATION: CBM HD MOTOR SINGLE SHADE

Bracket Installation:

Brackets are universal and can be installed in any orientation shown below:

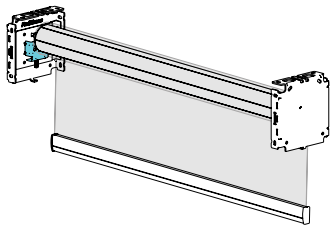


Inside Mount

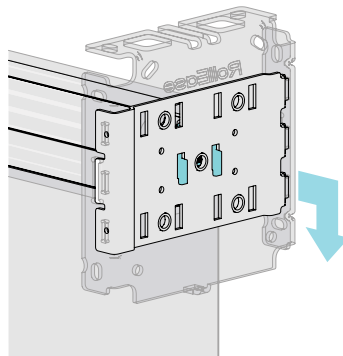


Outside Mount

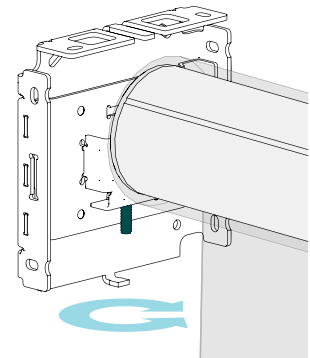
Shade & Cover Installation:



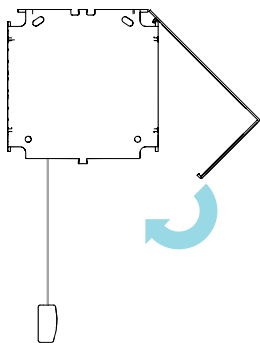
Attach roller pin assembly first



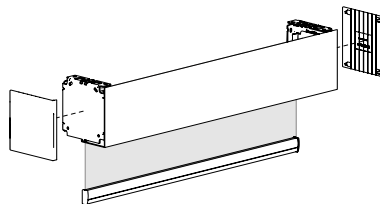
Push hooks through the bracket and pull down



Adjust yoke screw using a hex key until the shade is level



Attach fascia cover, swing from the top as shown above

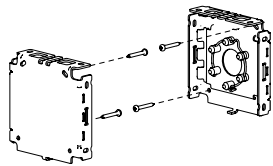


Attach bracket covers if needed (outside mt)

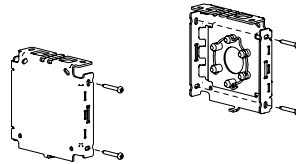
INSTALLATION: S50 MOTOR SINGLE SHADE

Bracket Installation:

Brackets are universal and can be installed in any orientation shown below:

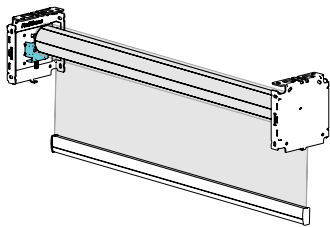


Inside Mount

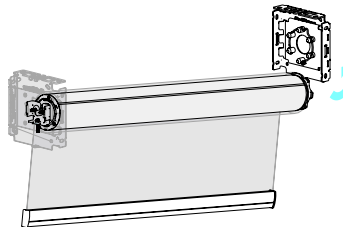


Outside Mount

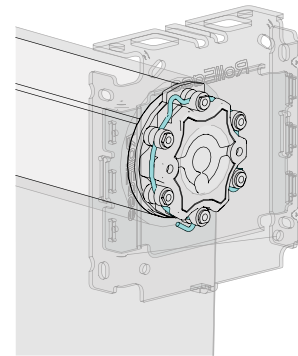
Shade & Cover Installation:



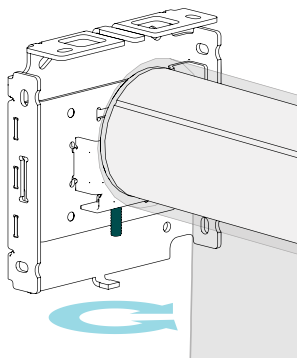
Attach roller pin assembly first



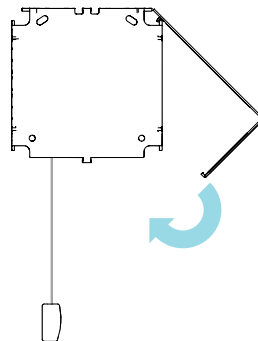
Attach motor control to the bracket



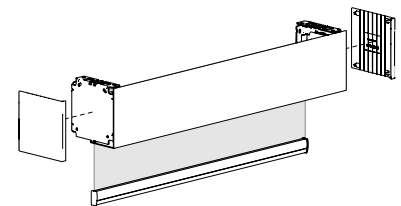
Secure the motor head using retention clip



Adjust yoke screw using a hex key until the shade is level



Attach fascia cover, swing from the top as shown above



Attach bracket covers if needed (outside mt)